



## Modular Cooking Range Line 700XP Half Module Gas PowerGrill Top

ITEM # \_\_\_\_\_

MODEL # \_\_\_\_\_

NAME # \_\_\_\_\_

SIS # \_\_\_\_\_

AIA # \_\_\_\_\_



371042 (E7GRGDGC0P)

\* NOT TRANSLATED \*

### Main Features

- Unit to be mounted on open base cupboards, bridging supports or cantilever systems.
- Stainless steel burners with flame failure device, optimized combustion and protected pilot light.
- AISI 441 stainless steel deflective shields located below the radiants prevent burners from clogging, minimize flare ups and ensure even heat distribution (PATENT PENDING).
- Dishwasher-safe radiants removable without the use of tools to facilitate cleaning.
- Extractable full-depth grease collection drawer to accumulate excess grease and oil.
- Stainless steel high splash guards on the rear and sides of cooking surface. Splash guards can be easily removed for cleaning and are dishwasher-safe.
- Cooking grids made in highly resistant enameled cast iron for easy cleaning.
- Suitable for countertop installation.

### Construction

- All exterior panels in Stainless Steel with Scotch Brite finishing.
- One piece pressed 1.5 mm work top in Stainless steel.
- Model has right-angled side edges to allow flush fitting joints between units, eliminating gaps and possible dirt traps.
- IPX4 water resistance certification.

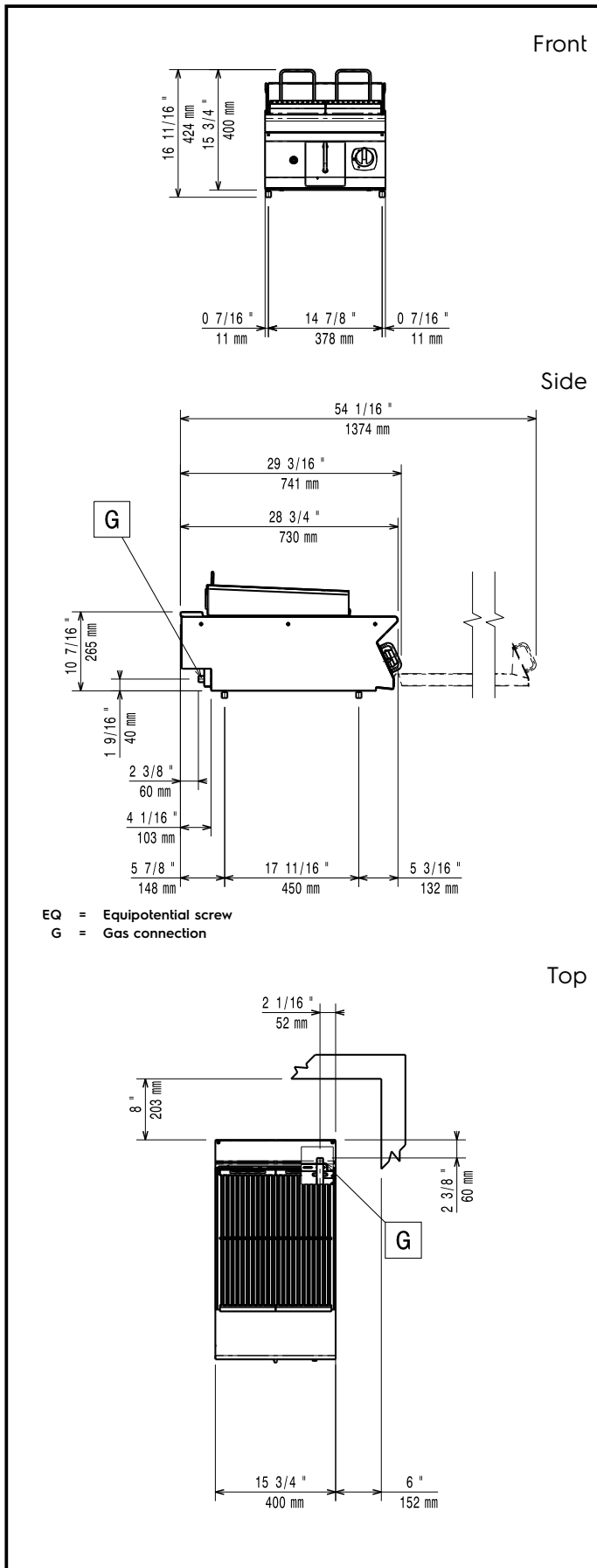
APPROVAL: \_\_\_\_\_



Experience the Excellence  
[www.electroluxprofessional.com](http://www.electroluxprofessional.com)

### Optional Accessories

|   |            |                          |
|---|------------|--------------------------|
| • Junction sealing kit                                | PNC 206086 | <input type="checkbox"/> |
| • Draught diverter                                    | PNC 206126 | <input type="checkbox"/> |
| • Matching ring for flue condenser                    | PNC 206127 | <input type="checkbox"/> |
| • Support for bridge type system, 800mm               | PNC 206137 | <input type="checkbox"/> |
| • Support for bridge type system, 1000mm              | PNC 206138 | <input type="checkbox"/> |
| • Support for bridge type system, 1200mm              | PNC 206139 | <input type="checkbox"/> |
| • Support for bridge type system, 1600mm              | PNC 206141 | <input type="checkbox"/> |
| • Support for bridge type system, 400mm               | PNC 206154 | <input type="checkbox"/> |
| • Chimney upstand, 400mm                              | PNC 206303 | <input type="checkbox"/> |
| • Right and left side handrails                       | PNC 206307 | <input type="checkbox"/> |
| • BACK HANDRAIL 800 MM - MARINE                       | PNC 206308 | <input type="checkbox"/> |
| • Flue condenser for 1/2 module, 120 mm diameter      | PNC 206310 | <input type="checkbox"/> |
| • Scraper kit with hooks for HP grills                | PNC 206347 | <input type="checkbox"/> |
| • Base support for feet or wheels - 400mm (700/900XP) | PNC 206366 | <input type="checkbox"/> |
| • - NOT TRANSLATED -                                  | PNC 206462 | <input type="checkbox"/> |
| • Frontal handrail 400mm                              | PNC 216046 | <input type="checkbox"/> |
| • Frontal handrail 800mm                              | PNC 216047 | <input type="checkbox"/> |
| • Frontal handrail 1200mm                             | PNC 216049 | <input type="checkbox"/> |
| • Frontal handrail 1600mm                             | PNC 216050 | <input type="checkbox"/> |
| • Large handrail - portioning shelf, 400mm            | PNC 216185 | <input type="checkbox"/> |
| • Large handrail - portioning shelf, 800mm            | PNC 216186 | <input type="checkbox"/> |
| • 2 side covering panels for top appliances           | PNC 216277 | <input type="checkbox"/> |
| • Pressure regulator for gas units                    | PNC 927225 | <input type="checkbox"/> |



## Gas

|                               |                     |                          |
|-------------------------------|---------------------|--------------------------|
| <b>Gas Power:</b>             | 371042 (E7GRGDGC0P) | 7 kW                     |
| <b>Standard gas delivery:</b> |                     | Natural Gas G20 (20mbar) |
| <b>Gas Type Option:</b>       |                     |                          |
| <b>Gas Inlet:</b>             |                     | 1/2"                     |

## Key Information:

|                               |                     |
|-------------------------------|---------------------|
| <b>Cooking surface width:</b> | 371 mm              |
| <b>Cooking surface depth:</b> | 472 mm              |
| <b>Net weight:</b>            | 32 kg               |
| <b>Shipping weight:</b>       | 50 kg               |
| <b>Shipping height:</b>       | 580 mm              |
| <b>Shipping width:</b>        | 460 mm              |
| <b>Shipping depth:</b>        | 820 mm              |
| <b>Shipping volume:</b>       | 0.22 m <sup>3</sup> |

If appliance is set up or next to or against temperature sensitive furniture or similar, a safety gap of approximately 150 mm should be maintained or some form of heat insulation fitted.

**Certification group:** N7EGG